

## Accessories for a Customised Communication Solution

For Motorola GP300 Portable Radio



# Accessories for a Customised Communication Solution For Motorola GP300 Portable Radio

(Also Compatible with GP88, PTX600, MTX638 unless specified otherwise)

Two-way radio communication offers you an instant seamless and efficient way to co-ordinate and control your work operations. Take a step further to maximize that productivity - use accessories to turn your radio system into a customized communication solution.



Adding the proper headsets, microphones, batteries, chargers or carry cases can enhance the efficiency of your Two-Way radio communication. Each Motorola original accessory is designed to deliver peak performance and to match the standards you demand. Built with the highest quality standards, Motorola accessories are specially engineered to ensure maximum performance of your radio.



## Batteries

Motorola original batteries are available in a variety of chemistries and capacities; Designed to work hand in hand with your two-way radios to ensure optimized performance and safety for your business.

### Nickel Cadmium

**Part Number** HNN8308A  
Capacity/Size: Low / Slim  
Avg mAh: 600mAh

**Part Number** PMMN4005B (comes with spring clip)  
Capacity/Size: High / Standard  
Avg mAh: 1200mAh

**Part Number** HNN9701A  
Capacity/Size: High / Extended  
Avg mAh: 1200mAh  
FM Rating: IS & NI

**Part Number** #HNN8133A  
Capacity/Size: High / Standard  
Avg mAh: 1200mAh  
FM Rating: NI

**Part Number** HNN9808B  
Capacity/Size: Low / Slim  
Avg mAh: 600mAh  
FM Rating: IS & NI

### Nickel Metal-Hydride

**Part Number** \*PMNN4016A (comes with spring clip)  
Capacity/Size: High / Standard  
Avg mAh: 1150mAh

IS - Intrinsically Safe (Div 1, Class I,II,III, Groups C,D,E,F,G)  
NI - Non-incendive (Div 2, Class I, Groups A,B,C,D)

\* must be used with HTN9042/9043/9044 Intellichargers or PMTN4011/4012/4013 Conditioning Chargers

# HNN8133 is NOT FM Approved for use with PTX600/MTX638/LTS2000

## Chargers & Charging Accessories

Designed to work as a total system with the two-way radio and battery, Motorola original chargers maximize the battery life of your batteries and keep them in tip-top condition. Choose from the simple power adapter direct plug design to the sophisticated multi-unit battery maintenance system coupled with battery health diagnostic and re-conditioning capabilities.

### Single Unit Rapid Rate Intellichargers

Utilize an enhanced charging algorithm that helps maximize the life of your batteries. Most suitable for NiCd and NiMH batteries and will achieve full charge in approximately 90 minutes. Allows battery only or radio/battery combination charging.

**HTN9042A** Single Unit Intellicharger, 110V - US plug

**HTN9043A** Single Unit Intellicharger, 230V - Euro plug

**HTN9044A** Single Unit Intellicharger, 230V - UK plug



### Single Unit Slow Rate Chargers

Cost effective, basic slow rate chargers that charge NiCd batteries in approximately 16 hours. Care must be taken to remove the battery from the charger pocket after a full charge to prevent overcharging.

- HTN9702A**     **Single Unit Slow Rate Charger**  
110V - US plug
- HTN9804A**     **Single Unit Slow Rate Charger**  
230V - Euro plug
- HTN9805A**     **Single Unit Slow Rate Charger**  
230V - UK plug



### Single Unit Conditioning Chargers

Utilize enhanced pulse charging interspersed with regular discharge pulse current to minimize "memory-effect" and overheating of NiCd and NiMH batteries. A standard capacity battery takes approximately 1 hour for a full charge. Pulse maintenance charging after a full charge maintains peak capacity for the battery.

- PMTN4013B**     **Single Unit Conditioning Charger**  
110V - US plug
- PMTN4012B**     **Single Unit Conditioning Charger**  
230V - Euro plug
- PMTN4011B**     **Single Unit Conditioning Charger**  
230V - UK plug



### Multi Unit Chargers

Multi unit chargers can charge a maximum of six individual batteries or radio/battery combination in approximately one hour. An external power supply with different power cords cater to different market requirements. Ideal for large fleet, shift-work or centrally located work group operations. Besides desktop use, it can also be wall mounted to save space via an optional bracket.

- HTN9748C**     **Multi Unit 1 Hour Charger,**  
110V - US cord
- HTN9811C**     **Multi Unit 1 Hour Charger,**  
230V - Euro cord
- HTN9812C**     **Multi Unit 1 Hour Charger,**  
230V - UK cord
- HLN9944A**     **Wall Mount Bracket**  
- for multi unit chargers  
- HTN9748C/9811C/9812C



### Vehicular Chargers and Accessories

#### HKN8036A Battery Eliminator

The battery eliminator saves battery power by drawing power from the vehicle's battery instead. Simply replace the portable battery with the eliminator that plugs into the vehicle cigarette lighter socket and you are all set up.



#### RLN4833A Travel Charger

This 2-in-1 innovative travel charger combines the function of the battery eliminator and yet allows charging of your battery. This keeps your portable working immediately when you need to operate away from the vehicle. With an audio accessory, it can be turned into a hands-free vehicle solution. The travel charger complete kit consists of a charger base, cigarette lighter adapter, a mounting bracket and an instruction manual.

#### HLN9719A Vehicular Charger Adapter/Bracket\*

This single unit, rapid rate charger charges your battery in the vehicle via the cigarette lighter adapter. Ideal for situations where a portable radio is used frequently in vehicles.



#### TDN9327A Portable Radio Hanger

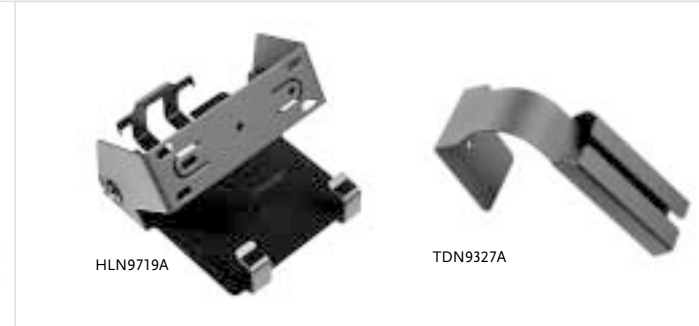
(for door panels up to 2.75 inch in width)

#### TDN9373A Portable Radio Hanger

(for door panels from 2.75 inch to 3.25 inch in width)

The portable radio hanger slides over and hangs from the door panel in a vehicle. The radio's belt clip slides onto the portable hanger allowing convenient and easy mounting. Two sizes are available to fit most door panels.

\* For single unit rapid rate chargers (HTN9042A/9043A/9044A)



### Battery Maintenance System Plus (BMS Plus)

Using interchangeable battery adapters (sold separately), the BMS Plus is capable of charging and discharging, analyzing, conditioning and performing cycle tests on batteries through tracking the battery's voltage and capacity (mAh).

Latest enhancement includes software upgrade on the equipment to safely charge and analyze Lithium Ion batteries using specified Lilon adapters. This six station BMS Plus can support hundreds of Two way, cellular and camcorder batteries.

- WPLN4079BR**     **Six Station, Battery Maintenance System Plus,**  
110V AC, 50/60Hz - US cord
- WPLN4080BR**     **Six Station, Battery Maintenance System Plus,**  
230V AC, 50/60Hz - Euro cord
- WPLN4081BR**     **Six Station, Battery Maintenance System Plus,**  
230V AC, 50/60Hz - UK cord



#### BMS Plus Adapters #

- TDN9437A**     **Battery Adapter**  
For use with PMNN4005B and HNN9701A batteries
- TDN9438A**     **Battery Adapter**  
For use with HNN8308A and HNN9808B batteries



# Belt clip may need to be removed from the battery to fit the adapters

## Audio Accessories

Motorola's range of audio accessories integrates perfectly with its radio to provide a personalised two-way radio solution. Built to highest quality standards, Motorola accessories are specially engineered to assure maximum performance of your radio.

Designed as a complete solution, our extensive range of audio accessories from remote speaker microphones, headsets to surveillance kits provides you the flexibility of hands-free operations.

### Remote Speaker Microphone

Remote speaker microphone provides greater operational flexibility to transmit and receive message without removing the radio from the belt or carrying case. It performs even in noisy environments and is suitable for public safety, manufacturing, logistics and the service industries.

**HMN9030A Remote Speaker Microphone**

### Standard Earpiece/Earset

Standard earpiece/earset provides hands-free mobility that matches your business budget. It also enhances the level of professionalism and responsiveness that customers expect from any organisations. It is suitable for users in the retail, hotel, catering and hospitality industries.

**PMLN4294C Earset with Combined Microphone/Push-To-Talk (PTT)**  
Small earpiece that fits comfortably in the ear to ensure private conversation without being overheard. A clip-on thumb style, compact Microphone/PTT allows users easy access to conduct conversation.

**PMMN4001A Earset with Boom Microphone and In-Line PTT**  
Small earpiece that can be secured to the ear. A boom microphone provides clear transmission when the in-line PTT is activated.

**PMLN4425A Earset Boom Microphone with Ring PTT**  
This accessory has the built-in remote ring Push-to-Talk (PTT) that fits easily to the fingers, enabling convenient hands free operation.

Suitable for users requiring in-vehicle communication who need to drive and communicate at the same time. It is also ideal for in-house facilities maintenance work groups on the go.

### BDN6720A Receive-Only Ear Receiver

Single side speaker over the ear provides listen-only capability.

### Headsets

Enables hands-free communication, the headset acts as a productivity tool. Choose from the light weight headsets that are suitable for use in low noise environments to the heavy weight headsets equipped with hearing protection.

### Light Weight Headsets

The light weight headset sits firmly over the ear and ensures users comfort for prolonged communication. It is most suitable for users in the entertainment, retail, sports and leisure industries.

**HMN9013A Light Weight Headset with Swivel Boom Microphone (compatible with internal VOX)**

**BDN6647F Large Single Speaker Headset with Swivel Boom Microphone (compatible with internal VOX)**

### Medium Weight Headsets

Medium weight dual-muff headset offers hearing protection for consistent and clear two-way communications in harsh and noisy situations. Available in 'behind-the-head' and 'over-the-head' designs, they are suitable for construction, manufacturing, petrochemical and air transport industries.

**HMN9021A Medium Weight Dual-Muff Headset with Swivel Microphone (over the head - 24dB reduction)**

**HMN9022A Medium Weight Dual-Muff Headset with Swivel Microphone (behind the head - 24dB reduction)**

### Heavy Weight Headset

Heavy weight headset includes noise-cancelling boom microphone with good hearing protection and external VOX function. This headset can be worn with or without a hardhat and is suitable for use in noise levels up to 125 dB.

Suitable for mining, construction, manufacturing and air transport industries.

**BDN6648C Heavy Duty Headset with Noise - Cancelling Boom Microphone**



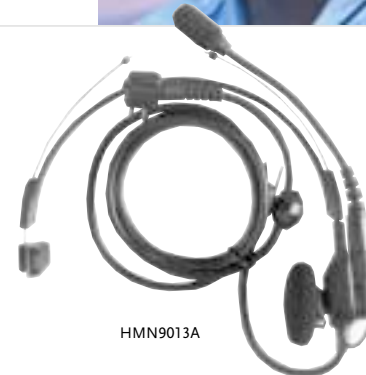
HMN9030A



PMLN4294C



PMMN4001A



HMN9013A



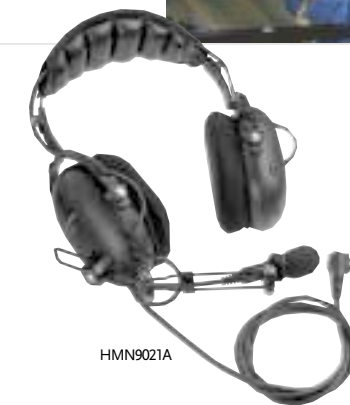
PMLN4425A



BDN6720A



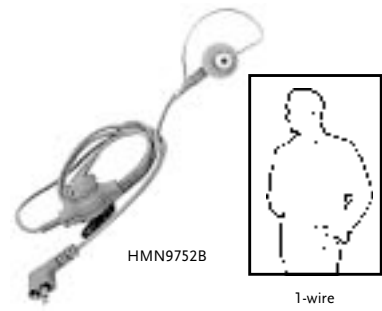
BDN6647F



HMN9021A

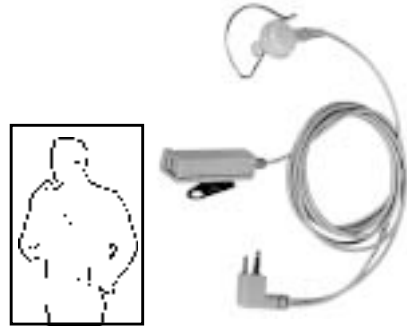


BDN6648C



HMN9752B

1-wire



2-wire

HMN9754D



NTN8371A

Standard Rubber Eartip  
Included with  
NTN8371A

Noise Attenuating Plugs  
NRR24dB Included with  
NTN8370A

Acoustic Tube  
with Earphone



NTN8370A



RLN4922A

## Surveillance Kits

Surveillance kits are unobtrusively designed, making them the ideal audio accessories for effective communication in covert operations.

### Covert Surveillance Kits

Surveillance earpiece that can be easily concealed and camouflaged to allow discrete communications. The earpiece is designed for use with optional accessories to enhance operational capability.

2-wire surveillance kits are also equipped with combine microphone and PTT in a single housing.

HMN9727B	1-Wire Surveillance Earpiece (Beige)
RLN4894A	1-Wire Surveillance Earpiece (Black)
HMN9752B	1-Wire Surveillance Earpiece with Volume Control (Beige)
HMN9754D	2-Wire Surveillance Earpiece with Combined Microphone /PTT (Beige)
RLN4895A	2-Wire Surveillance Earpiece with Combined Microphone /PTT (Black)

### Optional Accessories for Surveillance Kit Noise Kits

Lightweight translucent tube that attaches to the surveillance accessories. Attached clip prevents the accessory from being pulled from the ear due to body movement or head rotation.

NTN8371A	<b>Low Noise Kit.</b> Includes rubber ear tip for low noise environments.
NTN8370A	<b>Extreme Noise Kit.</b> Includes 2 foam ear plugs for noisy environments and provides 24dB of noise reduction.

### Wireless Discrete Earpiece

Enables users to communicate with ease, in full privacy, without any visible devices or wires. This miniature receiver is discretely hidden and fits the ear comfortably for extended use. It offers a full range of audio functions including automatic squelch, gain control and noise filtering.

Available in a kit that includes wireless receiver and an inductive loop. For use, simply remove the earpiece on any standard 2 or 3-wire Motorola surveillance kit (sold separately) and plug in the neck loop. Spare batteries and ear wax guards are also included.

RLN4922A	<b>Wireless Discrete Earpiece</b>
----------	-----------------------------------

## Ear Microphone System

This compact unit picks up the voice through bone vibrations in the ear canal. The miniature earpiece/microphone enables hands-free operations and leaves face unobscured when worn by personnel during rescue operations. Communication is also made possible for personnel required to wear breathing apparatus and protective masks.

Ideal for listening and speaking in high noise environment, due to activation by ear bone conduction.

*BDN6646C	Ear Microphone System (PTT Only)
*BDN6706B	Ear Microphone System (VOX/PTT)

<b>Optional Accessories for Ear Microphone System</b>	
0180358B38	Remote PTT Ring Switch
0180300B83	Remote PTT Body Switch

\* Comprises of radio interface module and standard ear microphone



BDN6646C

## Carrying Accessories

Carrying accessories are available in varying sizes and materials designed to suit your operational needs. Use them together with the other accessories for added convenience and hands-free mobility.

### Carrying Cases for Standard Battery

HLN9873A	Hard Leather Carry Case with Swivel & D-Rings
HLN8411A	DTMF Hard Leather Carry Case with Swivel & D-Rings
HLN8412A	DTMF LCD Hard Leather Carry Case with Swivel
HLN9720A	Hard Leather Carry Case with Belt Loop & D-Rings
HLN9970A	DTMF Hard Leather Carry Case with Belt Loop & D-Rings
HLN9978A	Hard Leather Display/Keypad Carry Case with Belt Loop & D-Rings
HLN9750B	Standard Nylon Carry Case (HLN9149_R required when used with Shoulder Strap NTN5243_R)

### Carrying Cases for Slim Battery

HLN9721A	Slim Leather Carry Case with Belt Loop & D-Rings
----------	--

### Carrying Cases for Thick FM Battery

HLN9009A	Hard Leather Carry Case with Swivel & D-Rings
HLN9011A	DTMF Hard Leather Carry Case with Swivel & D-Rings
HLN9008A	Hard Leather Carry Case with Belt loop & D-Rings
HLN9017A	Nylon Carry Case

### Molded Holder with Belt Clip

HLN9076B	Standard Molded Carry Holder with Belt Clip
----------	---

Note: Only universal carrying accessories, waterproof bag, belt clips are compatible with PTX600/MTX638 Radios



HLN9873A



HLN8411A



HLN9720A



HLN9750B

### Universal Carrying Accessories

**HLN6602A Universal Carrying Accessories Chest Pack**  
Designed with radio holder, pen holder, and velcro secured pocket

### RLN4570A Break-Away Chest Pack

Additional feature of break-away tabs that allow the entire pack to be pulled off with approximately 4.5 kg of pressure. Perfect for users in the rail, manufacturing and construction industries, and anywhere where safety is a concern.

### RLN4815A RadioPak™ Radio/Utility Case

Comfortable, useful and stylish, it can be worn round the waist to hold the radios. Includes a separate 6"x 8" zippered pouch to hold the other on-the-job necessities. Adjustable nylon weave belt that is suitable for both men and women.

### Optional Carrying Accessories

- HLN8414A** Chest Pack Carry Holder
- HLN9985A** Waterproof Bag
- HLN8052A** Wrist Strap
- PMLN4124A** Leaf Spring Belt Clip
- HLN8255B** 3" Spring Action Belt Clip
- NTN5243AR** Shoulder Carrying Strap  
(GP300 - use with leather carrying cases with D-Rings and nylon cases with HLN9149AR)
- HLN9035A** Swivel Belt Loop 2 1/2"  
(for HLN9873, HLN8411, HLN8412, HLN9009 & HLN9011)
- HLN9149AR** Swivel Belt Loop Adapter  
(for use with HLN9720, HLN9721, HLN9750 & HLN9970)
- TDN1002A** Swivel Clip, includes Holster, Belt, Strap



HLN6602A



RLN4570A



HLN8414A



RLN4815A



HLN9149AR

### Antenna

Injection molded for rugged environments. Each antenna is tested and tuned to give maximum power and performance.

**HAD9728A Tunable Antenna Kit**  
136 - 174 MHz (17cm)

### Flexible Heliflex and Whip Antennas

Flexible antennas have a one-piece finish and steel core for optimal radiation characteristics. Provide more comfort when radio is worn with the belt.

**HAD9338AR VHF Heliflex Antenna**

136-162 MHz (14 cm)

**NAD6502AR VHF Heliflex Antenna**

146-174 MHz (14 cm)

**HAD8450AR VHF Heliflex Antenna**

222MHz

**NAE6483AR UHF Whip Antenna**

403-520 MHz (14 cm)

### Stubby Antennas

This stubby quarter wave antenna is ideal when radio is worn with the belt as the short antenna is non-obtrusive. A broad band antenna that can be used for both 800MHz and 900MHz applications.

**PMAD4000A Stubby Antenna**

336-368 MHz

**HAD9742A VHF Stubby Antenna**

146-174 MHz (9cm)

**HAD9743A VHF Stubby Antenna**

162 - 174 MHz (9cm)

**NAE6521AR UHF Heliflex Stubby Antenna**

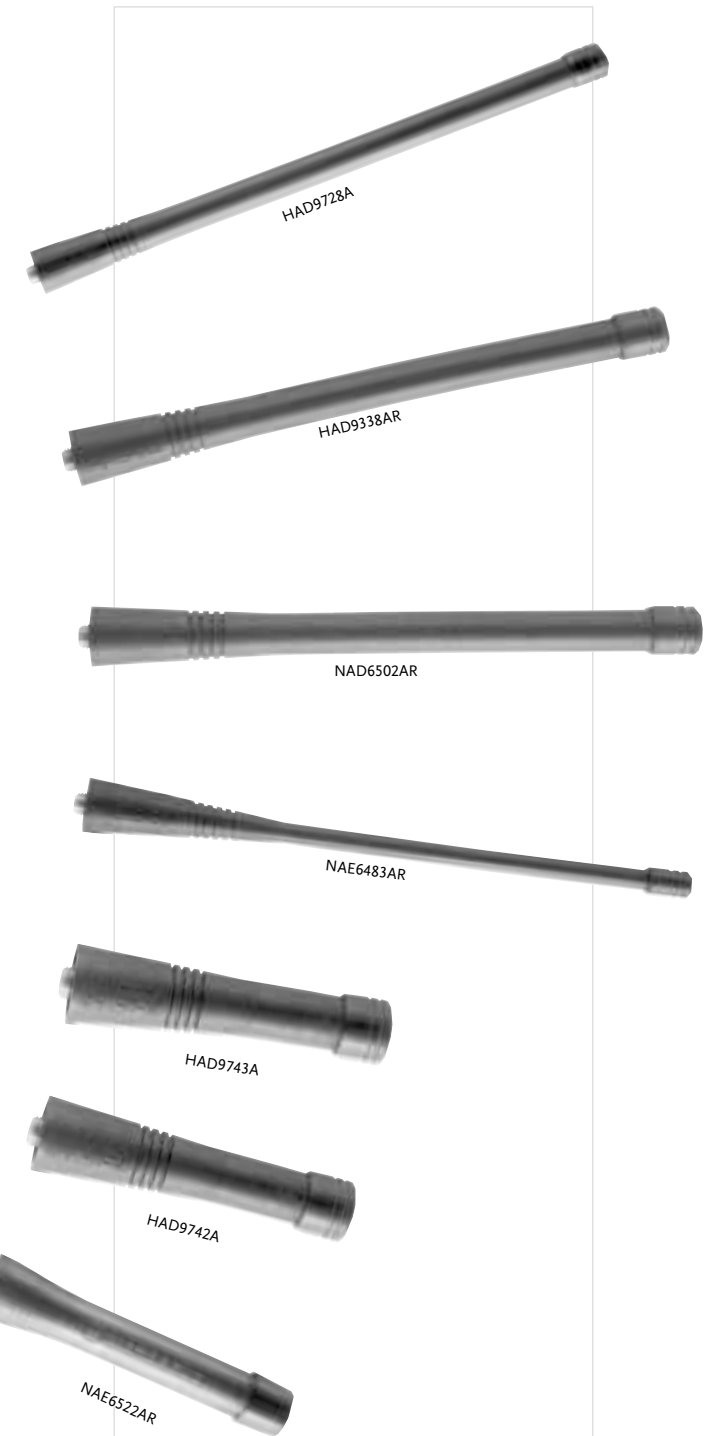
400-440 MHz (9cm)

**NAE6522AR UHF Heliflex Stubby Antenna**

438 - 470 MHz (10cm)

**8505816K26 UHF Heliflex Stubby Antenna**

450-512 MHz






Contact our Dealer for more information



Visit us at <http://www.mot.com/cgiss/AP>

Motorola and  are trademarks of Motorola, Inc.  
© 2001 Motorola, Inc. All Rights Reserved.  
Other trademarks are the property of the respective companies.